

AyrKing Corporation

Breader/Blender/Sifter



AyrKing offers a manual breadmaking workstation with integrated automatic Blender/Sifter machine. Rotary brush sifter operates without detrimental vibration or agitation. Spirally configured nylon bristles form an auger to eject unwanted dough balls to a waste container. Ingredients are fully blended as brush tumbles breadmaking media before it exits through sifter screen. Unique process prevents dough ball grinding, eliminates usual sifting noise, & blends ingredients as it ejects waste.

Photo of BBS-U-4830



INCLUDED ACCESSORIES

- B101 Red plastic lug plug
- B302 White plastic breadmaking lug with hole
- B303 White plastic breadmaking lug without hole
- B325 White plastic lug cover
- B304 White plastic dough ball pan
- B122 Round dip basket, stainless steel wire
- B123 Round dip pot, stainless steel

OPTIONAL ACCESSORIES

- B241 Swivel casters, four locking 5" (127mm)
- B126 Feathering basket, stainless steel wire
- B124 Round dip pot lid, stainless steel
- B420 Bun Pan Rack, hooks on back panel
- B302G Gray plastic breadmaking lug with hole
- B303G Gray plastic breadmaking lug without hole
- B325G Gray plastic lug cover



ADVANTAGES

Sift and blend 30 lbs (14 kg) of breadmaking in 60 seconds!

Rotary auger brush blends, sifts, and ejects dough balls simultaneously

Blending brush action prevents ingredient segregation, unlike vibrating or agitating systems

Quiet, vibration-free operation creates results, not disturbances

Sixty second timed cycle frees labor and saves energy

Raised s/s lip around sifter opening prevents tabletop spills from contaminating sifted breadmaking

Fully enclosed sifter with only four internal parts, reduces dust and allows quick and easy cleaning

Direct drive, steel geared motor & solid stainless steel fabrication provide lasting performance

MODELS

BBS-U-4830 48"L by 30"W table with 2"H rear tabletop backsplash (1219mm x 762mm)

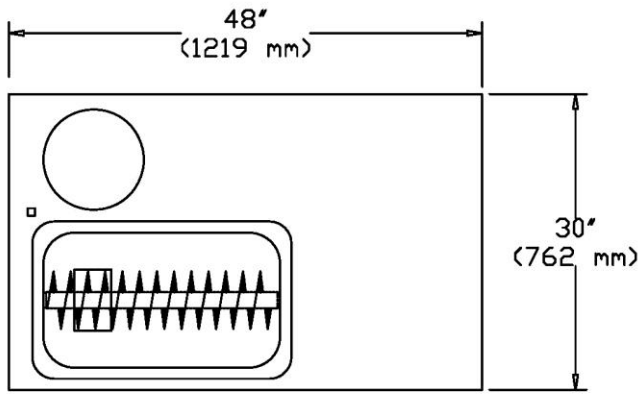
BBS-U-4830-BPC 48"L by 31"W table, with backpanel w/dip basket & Winston clamshell hooks (18" /457mm high)

AyrKing Corporation
2013 Cobalt Drive
Louisville, KY 40299-2417

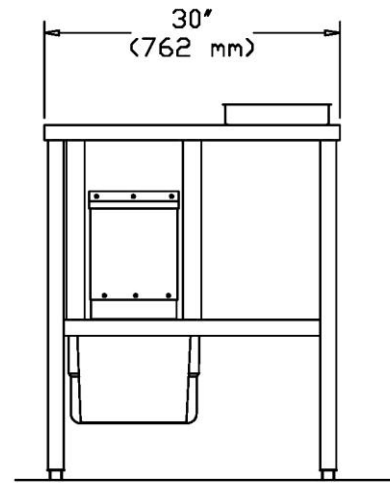
Telephone 502-266-6270
Facsimile 502-266-6274
www.ayrking.com

AyrKing Corporation

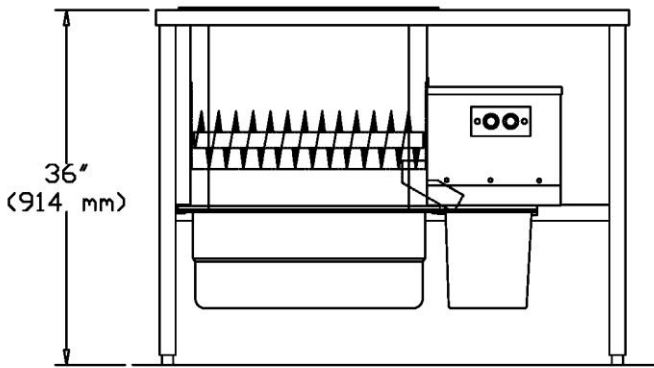
Breader/Blender/Sifter



TOP VIEW



RIGHT END VIEW



FRONT VIEW

CRATED MEASUREMENTS

MODEL	LENGTH	WIDTH	HEIGHT	WEIGHT	UNCRATED
BBS-U-4830	52" (1321mm)	33" (838mm)	44" (1118mm)	200 lb (91kg)	142 lb (64kg)
BBS-U-4830-BPC	52" (1321mm)	33" (838mm)	44" (1118mm)	215 lb (98kg)	157 lb (71kg)

ELECTRICAL

Timed control board automatically senses voltage & operates at either:
 115V, 50/60Hz, 1 phase, 1.6 AMP, 184W
 230V, 50/60Hz, 1 phase, 0.9 AMP, 207W
 Includes universal male three prong, recessed
 AC receptacle (IEC 320 C13) mating to an 8 foot
 (2438mm) cord with NEMA 5-15P male three prong plug

WARRANTY

One Year Parts
 Ninety Days Labor
 No Travel Time

Specifications subject to change without notice. Version 09/11

AyrKing Corporation
 2013 Cobalt Drive
 Louisville, KY 40299-2417

Telephone 502-266-6270
 Facsimile 502-266-6274
www.ayrking.com