

PROJECT	QUANTITY	ITEM NO
---------	----------	---------

Evolution Elite® Open Fryers



- EEG 141** 1-well gas
- EEG 142** 2-well gas
- EEG 143** 3-well gas
- EEG 144** 4-well gas



EEG 143 3-well gas open fryer

Henny Penny Evolution Elite® open fryers use innovative technology to extend the useful life of cooking oil and significantly reduce its consumption.

A smaller fry vat allows the same amount of product to be cooked in **40% less oil.*** Sensor-activated Oil Guardian™ monitors oil level and automatically replenishes oil from a reservoir inside the fryer cabinet. This eliminates manual add backs and results in less frequent oil disposal.

The Evolution Elite® combines reduced oil capacity with fast, easy filtering to extend oil life, improve product quality and reduce oil costs.

Filter Beacon® signals operators that a particular vat needs to be filtered. SmartFilter Express™ prompts operator to open the convenient external drain release, then drains and filters oil, rinses away crumbs and returns hot filtered oil to the vat in less than four minutes.† Other vats continue to cook uninterrupted.

Henny Penny Evolution Elite® series gas open fryers recover temperature very quickly and earn the ENERGY STAR® mark for energy efficiency.

iControl™ offers programmable operation plus a host of frying and oil management features.

Choose from 1, 2, 3, or 4-well, full or split vat configurations. Auto lift models and optional matching profile dump station available.



External drain release



Oil replenished automatically from JIB for multi-well (left) or reservoir for 1-well (right)

*Based on throughput tests according to ASTM standards.

†4 minute filtration possible when following conditions are met:

- Ambient temperatures at or above 72° (22°C)
- Drain pan temperature at or above 160°F (71°C) at the beginning of the filtration cycle
- Filtration media that has been previously saturated with oil, but not overly saturated with impurities
- Filtration media is changed at the frequency recommended for your operation

Standard Features

- Cooks the same size load in 40% less oil than standard 50 lb vat
- Oil Guardian™ automatic top off level sensors monitor oil level and add fresh oil as needed
- SmartFilter Express™
 - Filter vats individually as needed
 - Convenient external drain release, no other handles or valves, no need to open fryer doors
 - Rinse-wave action drains crumbs
 - Hot filtered oil returned, ready for drop in less than 4 minutes*
- Filter Beacon® filtration prompt
- Heavy-duty stainless steel vats with 7-year warranty
- High-limit temperature protection
- Full vat, split vat or combination
- High-efficiency burners with solid state ignition
- Auto lift automatically lowers and raises basket to begin and end cook cycle (additional charge)
- Heavy-duty basket rest removes easily for cleaning
- Stainless steel construction for easy-cleaning and long life
- 4 heavy-duty casters, 2 locking
- iControl™
 - 10 programmable cook cycles
 - Idle and melt modes
 - Load compensation
 - Proportional control
 - Filter tracking
 - Clean-out mode
 - Easy to switch language settings

Accessories shipped with unit

- Fry baskets (additional charge)
 - 1 full basket per well
 - 2 half baskets per well
- 1 basket support for each vat
- Max filter screen
- Installation and operating manual

Optional accessories

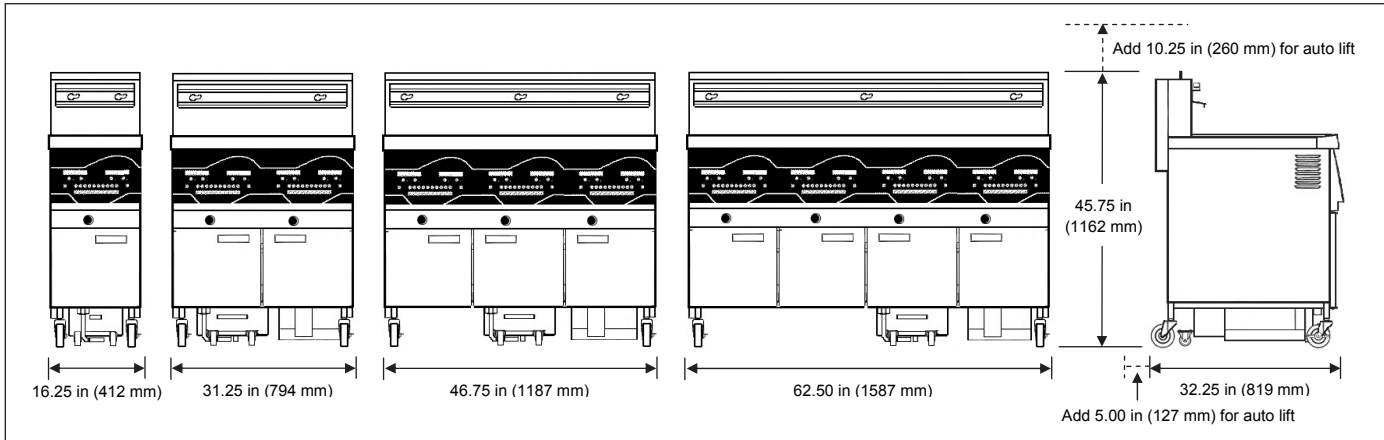
- FDS 210 fryer dump station with matching profile—can be attached
- ODS 300 50 lb oil disposal shuttle
- Fry well covers
- SmartFilter™ pads
- SmartFilter™ paper
- Oil dispensing jug

<input type="checkbox"/> APPROVED	<input type="checkbox"/> APPROVED AS NOTED	<input type="checkbox"/> RESUBMIT
AUTHORIZED SIGNATURE		DATE



Evolution Elite® Open Fryers

EEG 141 1-well gas
EEG 142 2-well gas
EEG 143 3-well gas
EEG 144 4-well gas



	EEG 141	EEG 142	EEG 143	EEG 144
--	---------	---------	---------	---------

Dimensions

Width	16.25 in (413mm)	31.25 in (794 mm)	46.75 in (1187 mm)	62.50 in (1588 mm)
Depth	32.25 in (819 mm)	32.25 in (819 mm)	32.25 in (819 mm)	32.25 in (819 mm)
Height	45.75 in (1162 mm)	45.75 in (1162 mm)	45.75 in (1162 mm)	45.75 in (1162 mm)

Crated

Length	33 in (838 mm)	38 in (965 mm)	54 in (1372 mm)	68 in (1727 mm)
Depth	21 in (533 mm)	39 in (991 mm)	39 in (991 mm)	39 in (991 mm)
Height	52 in (1321 mm)	55 in (1397 mm)	55 in (1397 mm)	55 in (1397 mm)
Volume	21 ft ³ (0.59 m ³)	47 ft ³ (0.90 m ³)	67 ft ³ (1.9 m ³)	84 ft ³ (2.4 m ³)

Weight

1 full	332 lb (151 kg)	N/A	N/A	N/A
1 split	347 lb (158 kg)	N/A	N/A	N/A
2 full	N/A	501 lb (227 kg)	650 lb (295 kg)	826 lb (375 kg)
2 split	N/A	532 lb (242 kg)	672 lb (305 kg)	826 lb (375 kg)
3 full	N/A	N/A	611 lb (277 kg)	811 lb (368 kg)
3 split	N/A	N/A	694 lb (315 kg)	841 lb (382 kg)
4 full	N/A	N/A	N/A	795 lb (361 kg)
4 split	N/A	N/A	N/A	856 lb (388 kg)

Heating natural gas or liquid petroleum

4 burners	8 burners	12 burners	16 burners
75,000 BTU/hr	150,000 BTU/hr	225,000 BTU/hr	300,000 BTU/hr
19.8 kW	39.6 kW	59.4 kW	79.2 kW
0.75 in gas line	0.75 in gas line	1.0 in gas line	1.0 in gas line

Electrical

Volts	Phase	Hertz	kW	Amps	Wire
120	1	60	N/A	12.2	2+G
230	1	50	N/A	7.0	1NG

Laboratory certifications



Oil capacity

30 lb or 14 L per full vat

Required clearances

Sides	6 in (152 mm) air flow
Back	6 in (152 mm) air flow, connections
Front	30 in (762 mm) remove filter pan
Top	11 in (280 mm) for auto lift

Bidding specifications

Provide Henny Penny Evolution Elite® model EEG 141, 142, 143, or 144 reduced oil capacity gas open fryer designed to operate with 30 lb (14 kg) oil capacity per full vat. Unit may be ordered with full or split vat(s).

Unit shall incorporate:

- Oil Guardian™ automatic oil top off system from jug-in-box or other reservoir in fryer cabinet
- Filter Beacon® automatic filter prompt
- SmartFilter Express™ integral filtration system that filters oil from one vat while cooking continues in other vats
- Oil drain pan with 4 casters and lock-in system with sensor warning when pan is not properly locked into place
- Unit qualifies for the ENERGY STAR® mark.
- Auto lift feature available at additional cost
- Fry vats of heavy duty stainless steel with 7-year warranty
- iControl™ with programmable operation, LED digital display, idle and melt modes, load compensation, proportional control, filtration tracking, clean-out mode and multiple language settings
- 4 heavy-duty casters, 2 locking

Continuing product improvement may subject specifications to change without notice.

24 Hour Technical Support:
 Henny Penny Technical Service
 800 417.8405
technicalservices@hennypenny.com

Henny Penny Corporation
 PO Box 60 Eaton OH 45320 USA

+1 937 456.8400 800 417.8417
 +1 937 456.8434 Fax 800 417.8434 Fax

www.hennypenny.com

HENNY PENNY
 Engineered to Last