



www.santos.fr



"Classic" Citrus Juicer # II

The genuine commercial citrus juicer since 1954
For all citrus fruits: limes, lemons, oranges, grapefruits.
Ideal for hotels, bars, restaurants.



Delivered with
3 removable
squeezers (cones)
and a cover.

Internationally Patented Models



"Classic"

Since 1954



The real commercial juicer, built to last, with a heavy duty and quiet asynchronous motor, for use everywhere you need a fresh squeezed citrus juice: Juice Bars, Health Food Stores, Hotels, Bars, Restaurants, Cafeterias, Ice Cream shops, Institutions, Hospitals and even...at Home.

High output : just cut your citrus half and press. You will extract easily from 20 to 40 litres per hour (5 to 10 gallons).

Removable bowl yellow or black.
Unbreakable - food material (NSF approved).

Chromed or painted (green or grey) motor base.

Inclined body for better output

3 removable squeezers (cones) for :
✓ Limes
✓ Lemons and oranges
✓ Grapefruits



and a cover

Wide spout accepting all types of glasses.
Height of the spout :
✓ 125 mm (5")

Heavy duty and quiet asynchronous motor.
High speed.

Removable polycarbonate drip tray.



II C Chromed



II Green



II Grey

Juicer # II

Easy to use - Easy to clean - Completely safe



www.santos.fr

The unique juicer that you can clean quickly and easily :
just wash the main different parts of the top.
All are easily removed from the base in a simple movement.
(NSF approved)



Cones
Metallic ring
Grid
Plastic bowl
Body



Technical specifications

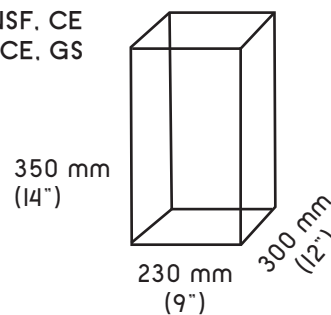


Motor
Single phase 100-120V - 50/60 Hz - 155 W - NSF, CE
220-240V - 50/60 Hz - 130 W - CE, GS
Speed 1500 rpm (50 Hz)
1800 rpm (60 Hz)

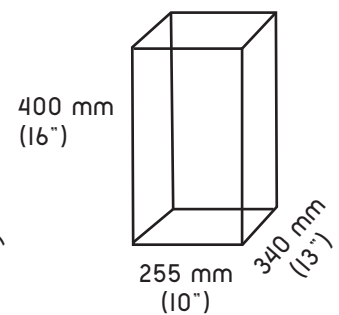


Weight
Net 5 Kg (11 lbs)
Packed 5.6 Kg (12 lbs)

Appliance :



Shipping box :



Safety - Standards - Hygiene

In accordance with the following regulations :

- Machinery directive 2006/42/EC
- Electromagnetic compatibility 2004/108/EC
- "Low voltage" directive 2006/95/EC
- RoHS directive 2002/95/EC
- Regulation 1935/2004/EC (contact with food)

- Harmonized European standards
NF EN 12100-1 and 2 : 2004
NF EN 60204-1 : 2006
NF EN 60 335-2-64 : 2004
- CE European standards, GS (Germany) controlled by LNE laboratory, NSF (USA)

Electrical safety

- On/Off interlock switch is waterproof
- All mechanical parts are ground (earth) connected
- All equipment is 100% tested at the end of assembly (special electrical testing bay)

Thermal safety

Motor protected by internal thermal detector

Acoustic safety

The asynchronous motor with direct drive is particularly silent

Hygiene

All removable parts can be put in a dishwasher or easily cleaned with hot soapy water (NSF approved)

PRODUCT: 2-YEAR WARRANTY - MOTOR: 5-YEAR WARRANTY

