

**PGI705**

**50 Litre GAS BOILING PAN - INDIRECT HEATING VERSION**



- Exteriors and supporting structure made of steel throughout
- 1.2mm thick top
- Height-adjustable steel feet
- Cooking pans with rounded corners and edges
- Pan bottom in AISI 316L polished stainless steel; walls in AISI 304 stainless steel
- Swivel filling tap
- Counterweighted folding lid
- Chrome-plated brass draining tap (1" 1/2) with large handle
- High thermally efficient steel burners for gas versions outside the tank
- In indirect heating versions, jacket pressure is regulated by a 0.5 bar safety valve and analog gauge
- Funnel tap for jacket top-up
- Gas controlled by a safety tap with cut-out
- Manually controlled temperature

**General technical data**

Dimensions: (mm) **800x700x900**

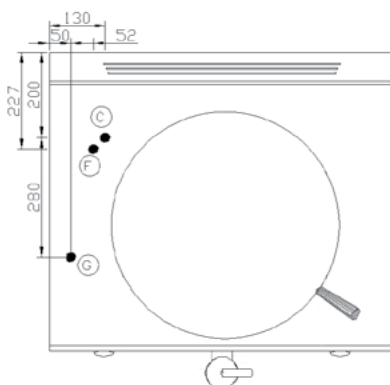
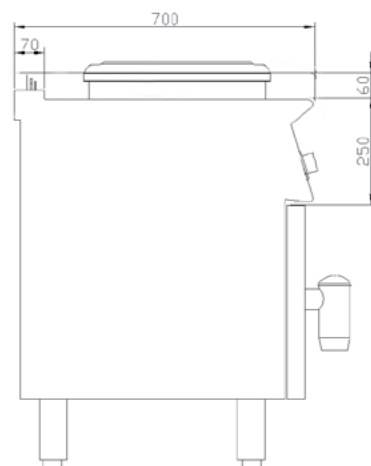
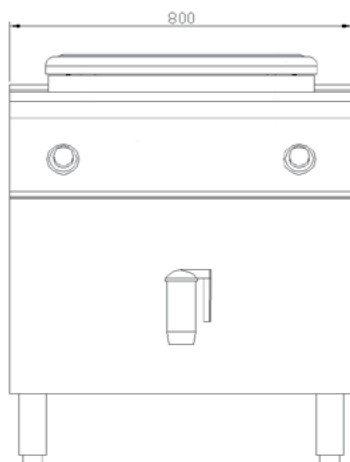
Volume: (m<sup>3</sup>) **1,1**

Weight:: (Kg) **120**

**Gas connection**

kW **12**

UNI ISO 7\1 R 1/2"



- (G) GAS INLET
- (E) ELECTRICAL PLUG
- (A) WATER INLET
- (C) HOT WATER INLET
- (F) COLD WATER INLET
- (S) WATER DRAIN

**Hot water connection** **1/2"**

**Cold water connection** **1/2"**

**Water drain** **3/4"**